



FEATURES

- Full protection
- Foot pedal operation
- Direct Insert Hose From Front
- Enhanced Structure Stable Cutting
- CE Approved

OPTIONS

- Toothed blade
- 110V/220V 1 Phase
- 230V/440V/480V 3 Phase

C400

TECHNICAL DATA

Max. hose size (inch) ¹⁾	2"4SP
Diameter (blade) external (mm)	250
Diameter (blade) internal (mm)	40
Max. hose OD (mm)	75
Exhaust outlet OD (mm)	100
Motor Power (KW) ²⁾	3.0(400V 3 Phase)
Motor Power (HP) ²⁾	4.0

DIMENSIONS (LxWxH)

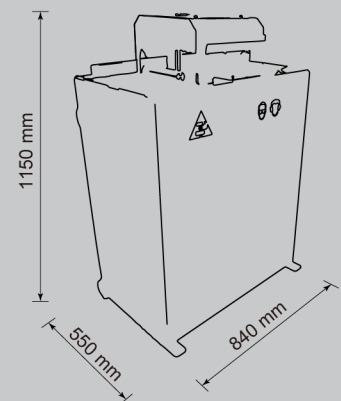
WEIGHT

Machine (mm)	840x550x1150	Machine (kg)	150
Machine (inch)	33.1x21.7x45.3	Machine (lbs)	330
Packaged (mm)	900x690x1320	Packaged (kg)	170
Packaged (inch)	35.4x27.2x52.0	Packaged (lbs)	375

1) Hydraulic hose, 1-2 wire / 4 wire
2) 3-phase / 1-phase

STANDARD FEATURES

Foot Pedal Operation



Products images & Specifications may alter prior official notice at any time.