



FEATURES

Compact Design
Hand Cutting
Up to 2" 4SP Hydraulic Hose
CE Approved

OPTIONS

12/24V DC
Toothed blade
110V/220V 1 Phase
230V/440V/480V 3 Phase

C300

TECHNICAL DATA

Max. hose size (inch) ¹⁾	2
Diameter (blade) external (mm)	300
Diameter (blade) internal (mm)	50
Max. hose OD (mm)	80
Exhaust outlet OD (mm)	60
Motor Power (KW) ²⁾	3.0(400V 3 Phase)
Motor Power (HP) ²⁾	4.0

DIMENSIONS (LxWxH)

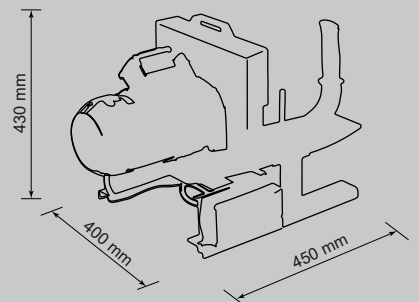
WEIGHT

Machine (mm)	450x400x430	Machine (kg)	55
Machine (inch)	17.7x15.7x16.9	Machine (lbs)	121
Packaged (mm)	650x700x780	Packaged (kg)	75
Packaged (inch)	25.6x27.6x30.7	Packaged (lbs)	165

1) Hydraulic hose, 1-2 wire / 4 wire
2) 3-phase / 1-phase

STANDARD FEATURES

Smooth blade



Products images & Specifications may alter prior official notice at any time.



C300

TECHNICAL DATA			
Max. hose size (inch) ¹⁾		2	
Diameter (blade) external (mm)		300	
Diameter (blade) internal (mm)		50	
Max. hose OD (mm)		80	
Exhaust outlet OD (mm)		60	
Motor Power (KW) ²⁾		3.0(400V 3 Phase)	
Motor Power (HP) ²⁾		4.0	
DIMENSIONS (LxWxH)		WEIGHT	
Machine (mm)	450x400x430	Machine (kg)	55
Machine (inch)	17.7x15.7x16.9	Machine (lbs)	121
Packaged (mm)	650x700x780	Packaged (kg)	75
Packaged (inch)	25.6x27.6x30.7	Packaged (lbs)	165

1) Hydraulic hose, 1-2 wire / 4 wire
2) 3-phase / 1-phase

FEATURES

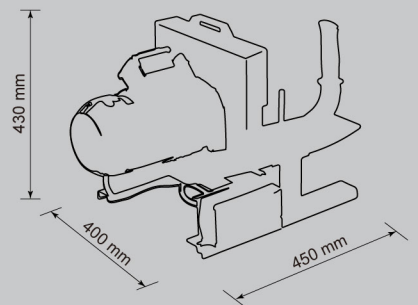
- Compact Design
- Hand Cutting
- Up to 2" 4SP Hydraulic Hose
- CE Approved

OPTIONS

- 12/24V DC
- Toothed blade
- 110V/220V 1 Phase
- 230V/440V/480V 3 Phase

STANDARD FEATURES

Smooth blade



Products images & Specifications may alter prior official notice at any time.