



### FEATURES

- Full Automatic Precision Control
- Economical Affordable Crimper
- Energy Saving and Safety Operation
- Optional Die Rack & QCT tool

### OPTIONS

- Backstop Device
- Quick Change Tool
- 110V/220V 1 Phase
- 230V/440V/480V 3 Phase

## S51

### TECHNICAL DATA

Max Hydraulic Hose	2"4SP
Crimping Range (mm)	4-78
Die Type	32
Master Die Length (mm)	80
Max Opening (mm) <sup>1)</sup>	+26
Motor Power (KW/HP) <sup>1)</sup>	4.0/5.4(400V 3 Phase)
Crimping Force (KN)	3200
Crimpings Per Hour	400
Foot pedal	Included
Protection Class	IP56

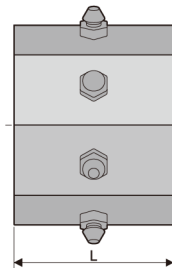
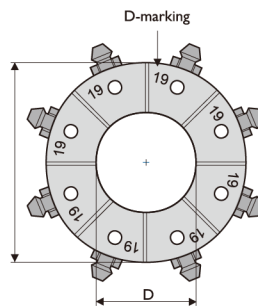
### DIMENSIONS (LxWxH)

Machine (mm)	650x450x750
Machine (inch)	25.6x17.7x29.5
Packaged (mm)	750x550x900
Packaged (inch)	29.5x21.7x35.4

### WEIGHT

Machine (kg/lbs)	300/661
Packaged (kg/lbs)	320/705

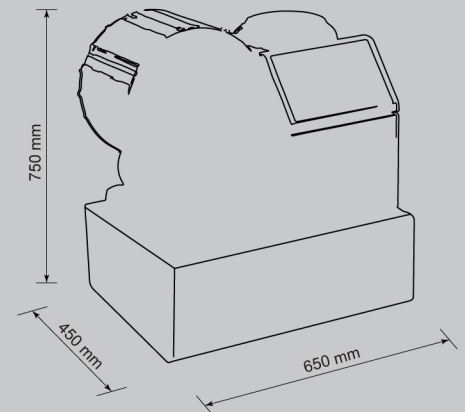
**\* ACCORDING TO THE FITTING.**



1) Maximum opening is the total die travel. Add this value to the minimum crimping diameter of the die set used. The result is the maximum opening of the machine with die set in place.

### CONTROL

Advanced Programmable Chip



### DIE SET 51-SERIES

DieSetNo	D (mm)	L (mm)	Crimp. range (mm)
*18506/10	10	60	10.0-12.0
*18506/12	12	60	12.0-14.0
18506/14	14	60	14.0-16.0
18506/16	16	60	16.0-19.0
18506/19	19	60	19.0-22.0
18506/22	22	75	22.0-26.0
18506/26	26	75	26.0-30.0
18506/30	30	75	30.0-34.0
18506/34	34	80	34.0-39.0
18506/39	39	80	39.0-45.0
18506/45	45	90	45.0-51.0
18506/51	51	90	51.0-57.0
18506/57	57	100	57.0-63.0
18506/63	63	100	63.0-69.0
18506/69	69	100	69.0-74.0
*18506/74	74	110	74.0-78.0
*18506/78	78	110	78.0-82.0

\* Optional die sets at additional cost

Products images & Specifications may alter prior official notice at any time.