



FEATURES

Full Automatic Precision Control
 Economical Affordable Crimper
 Energy Saving and Safety Operation
 CE Approved

OPTIONS

Backstop Device
 110V/220V 1 Phase
 230V/440V/480V 3 Phase

S32

TECHNICAL DATA

Max Hydraulic Hose	1 1/4"4SP
Crimping Range (mm)	4-65
Die Type	51
Master Die Length (mm)	80
Max Opening (mm) ¹⁾	+24
Motor Power (KW/HP) ¹⁾	3.0/4.0(400V 3 Phase)
Crimping Force (KN)	1900
Crimpings Per Hour	800
Foot pedal	Included
Noise Level (dBA)	65
Protection Class	IP56

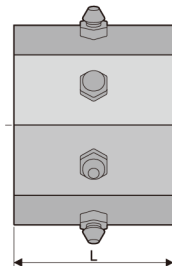
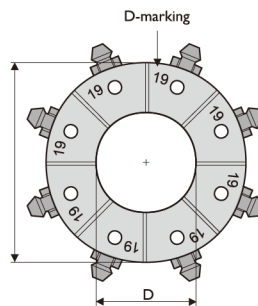
DIMENSIONS (LxWxH)

Machine (mm)	650x450x720
Machine (inch)	25.6x17.7x28.3
Packaged (mm)	750x550x870
Packaged (inch)	29.5x21.7x34.3

WEIGHT

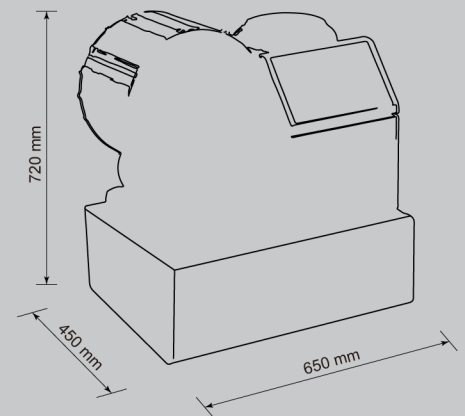
Machine (kg/lbs)	260/573
Packaged (kg/lbs)	280/617

*** ACCORDING TO THE FITTING.**



CONTROL

Advanced Programmable Chip



DIE SET 51-SERIES

DieSetNo	D (mm)	L (mm)	Crimp. range (mm)
18506/14	14	60	14.0-16.0
18506/16	16	60	16.0-19.0
18506/19	19	60	19.0-22.0
18506/22	22	75	22.0-26.0
18506/26	26	75	26.0-30.0
18506/30	30	75	30.0-34.0
18506/34	34	80	34.0-39.0
18506/39	39	80	39.0-45.0
18506/45	45	90	45.0-51.0

* Optional die sets at additional cost

1) Maximum opening is the total die travel. Add this value to the minimum crimping diameter of the die set used. The result is the maximum opening of the machine with die set in place.

Products images & Specifications may alter prior official notice at any time.