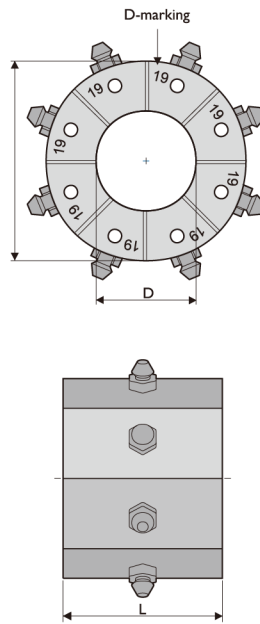




S280

TECHNICAL DATA	
Industrial Hose	10"
Max Hydraulic Hose	4"6SP
Crimping Range (mm)	4-280
Die Type	P32
Crimping Speed Second	5
Max Opening (mm) ¹⁾	+50
Motor Power (KW/HP) ¹⁾	7.5/10.0(400V 3 Phase)
Crimping Force (KN)	15000
Crimpings Per Hour	450
Foot pedal	Included
Noise Level (dBA)	65
Protection Class	IP56
DIMENSIONS (LxWxH)	
Machine (mm)	800x1700x1750
Machine (inch)	31.5x66.9x68.9
Packaged (mm)	1150x1150x1600
Packaged (inch)	45.3x45.3x63.0
WEIGHT	
Machine (kg/lbs)	1300/2866
Packaged (kg/lbs)	1400/3086
* ACCORDING TO THE FITTING.	



1) Maximum opening is the total die travel. Add this value to the minimum crimping diameter of the die set used. The result is the maximum opening of the machine with die set in place.

FEATURES

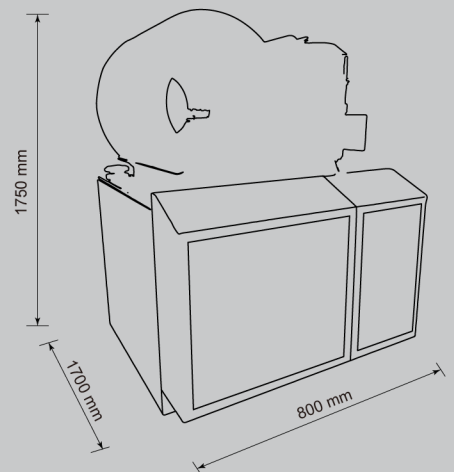
- Full Automatic Control with Foot pedal
- 10" Industrial Hose
- Energy Saving and Safety Operation

OPTIONS

- Die Rack
- Quick Change Tool
- Backstop Device
- Control by Pressure
- 110V/220V 1 Phase
- 230V/440V/480V 3 Phase

CONTROL

Digital Control



Products images & Specifications may alter prior official notice at any time.