



FEATURES

Full Automatic Precision Control
Affordable 6 inch Industrial Hose
Energy Saving and Safety Operation
CE Approved

OPTIONS

Backstop Device
110V/220V 1 Phase
230V/440V/480V 3 Phase

S102

TECHNICAL DATA

Max Hose	4"
Max Hydraulic Hose	2"6SP
Maximum Industrial Hose	140mm ID
Crimping Range (mm)	10-140
Die Type	51
Master Die Length (mm)	80
Max Opening (mm) ¹⁾	+24
Motor Power (KW/HP) ¹⁾	4.0/5.0(400V 3 Phase)
Crimping Force (KN)	2800
Crimpings Per Hour	550
Foot pedal	Included
Noise Level (dBA)	65
Protection Class	IP56

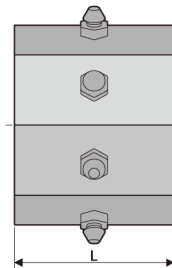
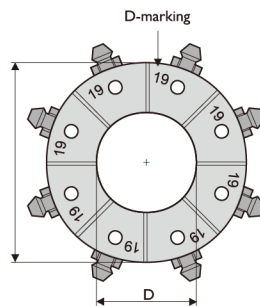
DIMENSIONS (LxWxH)

Machine (mm)	750x450x1450
Machine (inch)	29.5x17.7x57.1
Packaged (mm)	850x550x1600
Packaged (inch)	33.5x21.7x63.0

WEIGHT

Machine (kg/lbs)	400/882
Packaged (kg/lbs)	420/926

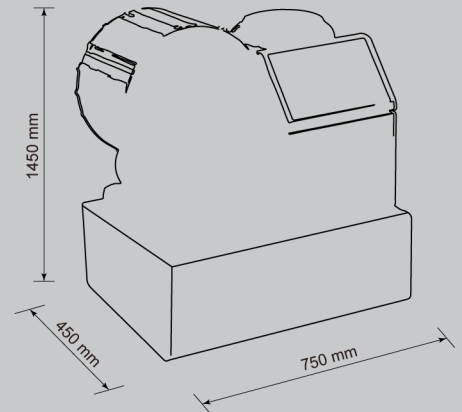
* ACCORDING TO THE FITTING.



1) Maximum opening is the total die travel. Add this value to the minimum crimping diameter of the die set used. The result is the maximum opening of the machine with die set in place.

CONTROL

Advanced Programmable Chip



DIE SET 51-SERIES

DieSetNo	D (mm)	L (mm)	Crimp. range (mm)
*18506/10	10	60	10.0-12.0
*18506/12	12	60	12.0-14.0
18506/14	14	60	14.0-16.0
18506/16	16	60	16.0-19.0
18506/19	19	60	19.0-22.0
18506/22	22	75	22.0-26.0
18506/26	26	75	26.0-30.0
18506/30	30	75	30.0-34.0
18506/34	34	80	34.0-39.0
18506/39	39	80	39.0-45.0
18506/45	45	90	45.0-51.0
18506/51	51	90	51.0-57.0
18506/57	57	100	57.0-63.0
18506/63	63	100	63.0-69.0
18506/69	69	100	69.0-74.0
*18506/74	74	110	74.0-78.0
*18506/78	78	110	78.0-82.0

* Optional die sets at additional cost

Products images & Specifications may alter prior official notice at any time.