

# SAMWAY SAMWAY TUBE BENDER T642M

BENDERING | SERVICE | TUBE BENDER T642M



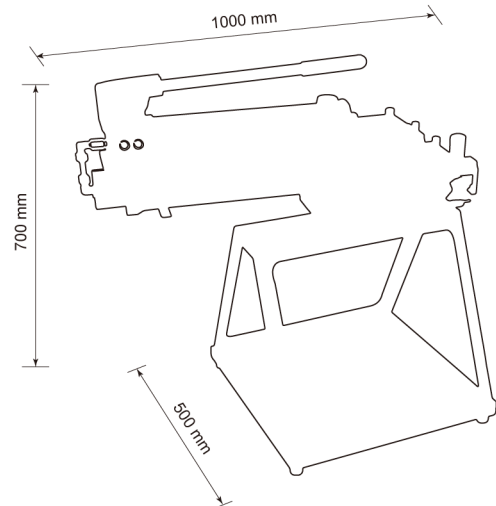
## FEATURES

- 6-42mm tube
- Hand pump driven
- Compact design

## TUBE BENDER T642M

### TECHNICAL DATA

BENDING CURVATURA	6→42X4 mm
MATERIALS MATERIALI	AISI 316 TI - ST 37.4
DIMENSIONS LXWXH DIMENSIONI LXPXH	420X780X980 mm
WEIGHT WITHOUT OIL PESO SENZA OLIO	48 KG
OIL OLIO	INCLUDED INCLUSO
<b>DIMENSIONS (LxWxH)</b>	
Machine (mm)	1000x500x700
Machine (inch)	39.4x19.7x27.6
Packaged (mm)	1100x600x800
Packaged (inch)	43.3x23.6x31.5
<b>WEIGHT</b>	
Machine (kg/lbs)	50/110
Packaged (kg/lbs)	65/143



### M18

Ø	6	8	10	12	14	15	16	18
MEDIUM BENDING RADIUS RAGGIO MEDIO	33,5	33,5	36	36	36	43,5	43,5	51

Products images & Specifications may alter prior official notice at any time.